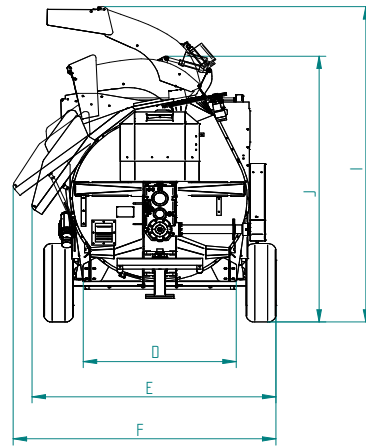
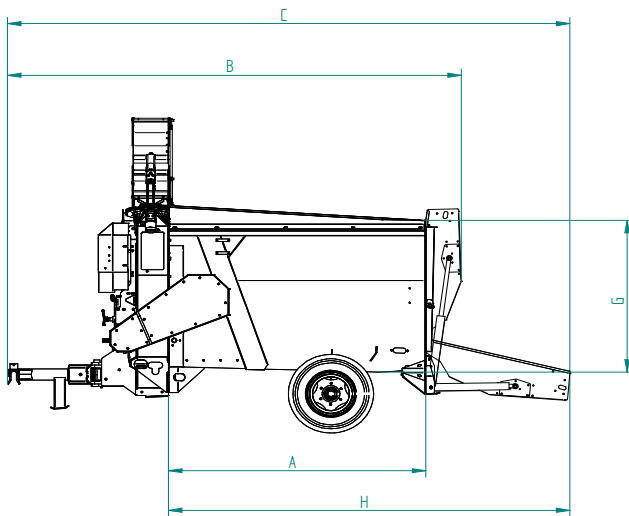


### Technical Characteristics

		PR 4000 GM
A	Inside body length	2.60 m
B	Overall length – door closed	4.05 m
C	Overall length – door open	5.03 m
D	Inside body width	1.35 m
E	Overall width with folded flap	2.23 m
F	Overall width with unfolded flap	2.41 m
G	Inside body height	1.26 m
H	Inside body length – door open	3.59 m
I	Height chute open (hydraulic/fixed axle)	2.80/3.23 m
J	Overall height chute folded up (hydraulic/fixed axle)	2.28/2.60 m

- Standard
- Option



Equipment complies with safety standards.

We reserve the right to change our equipment and its characteristics at any time.